

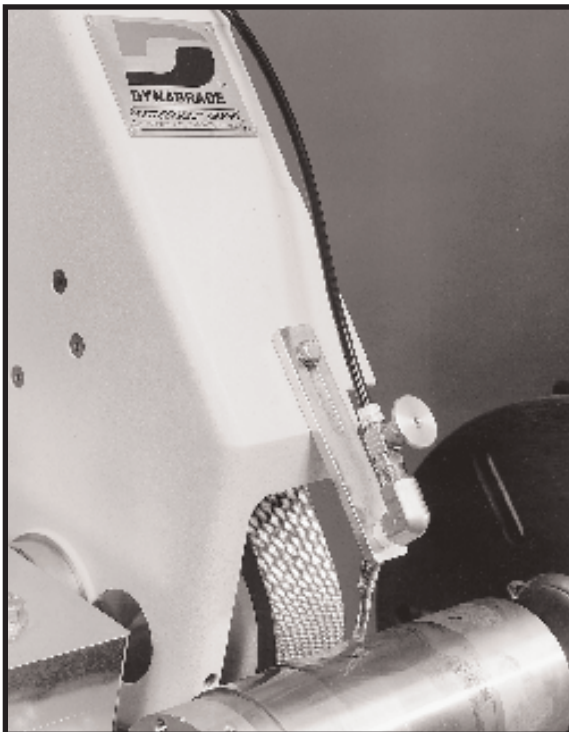
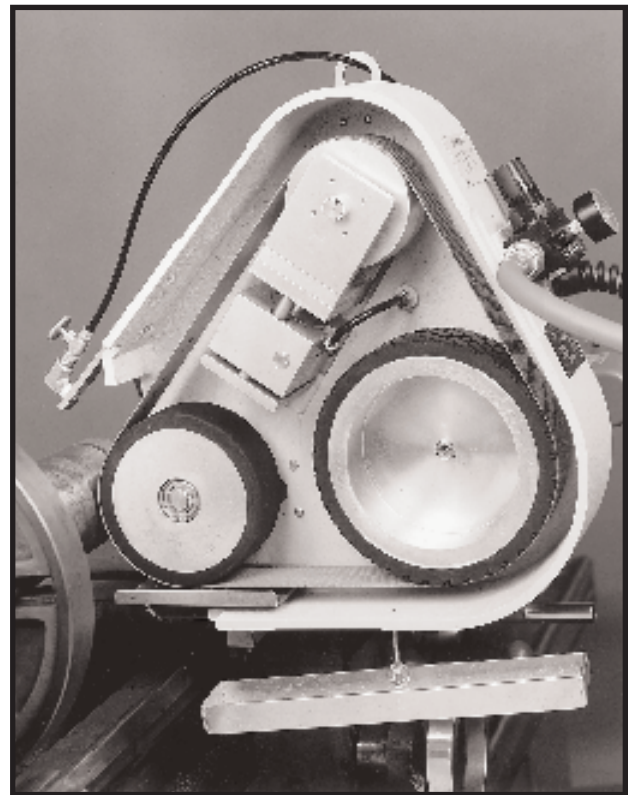
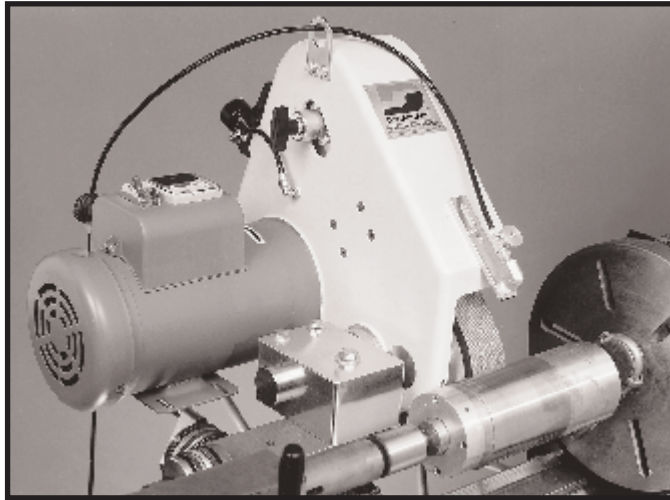
# **Precision Tool Post Grinder Instruction Manual**

**Models:**

**65750 – 3,450 RPM (Wet), 60 Hz**

**65751 – 2,850 RPM (Wet), 50 Hz**

*2" Wide x 48" Long Abrasive Belt Machine*



# WARRANTY

Following the reasonable assumption that any inherent defect which might prevail in a product will become apparent to the user within one year from the date of purchase, all equipment of our manufacture is warranted against defects in workmanship and materials under normal use and service. We shall repair or replace at our factory, any equipment or part thereof which shall, within one year after delivery to the original purchaser, indicate upon our examination to have been defective.

Our obligation is contingent upon proper use of Dynabrade tools in accordance with factory recommendations, instructions and safety practices. It shall not apply to equipment which has been subject to misuse, negligence, accident or tampering in any way so as to affect its normal performance.

Normally wearable parts such as bearings, contact wheels, rotor blades, etc., are not covered under this warranty.

---

## ELECTRICAL WARNING

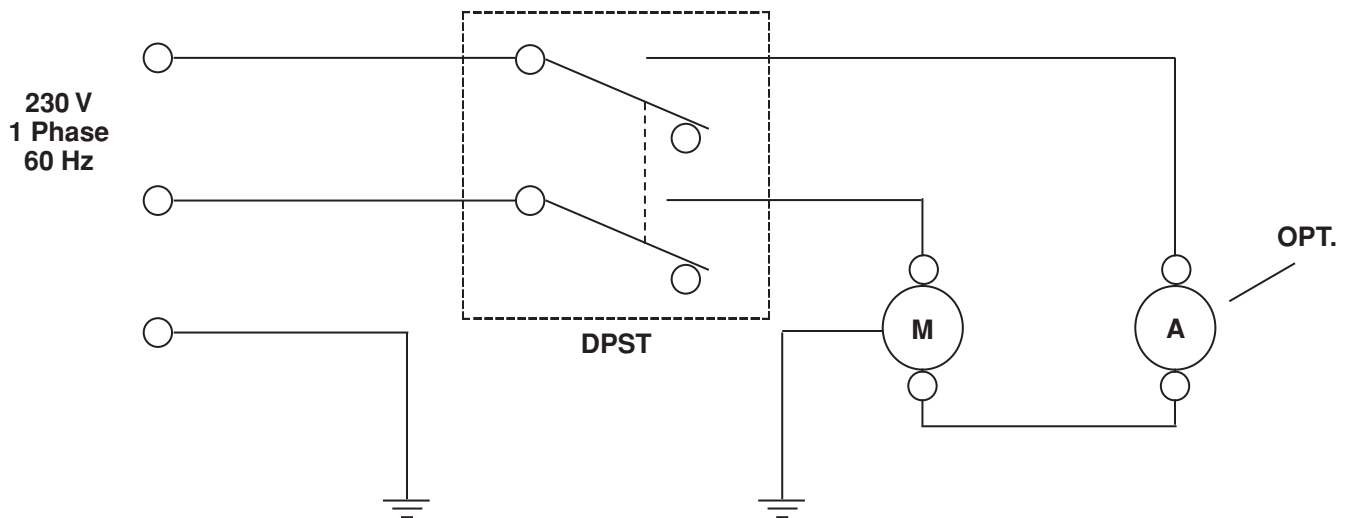
**Warning:** This tool does “not” come equipped with overcurrent protection. It is the user’s responsibility to provide an adequately grounded circuit with correctly rated fuse or circuit breaker. A “ground-fault” protected device is also recommended if tool is to be operated “wet”.

Refer to **Electrical Schematic ES-65014** for machine wiring. A qualified electrician can determine if the tool (as shipped) and the supply circuitry is in accordance with local electrical codes and ordinances.

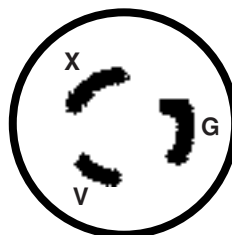
The machine “as shipped” is intended to be used exclusively on a 230-volt, Single Phase power supply.

Always disconnect tool from power at plug before performing any maintenance tasks.

### Electrical Schematic ES-65014



### Nema Configuration Locking Type Plug

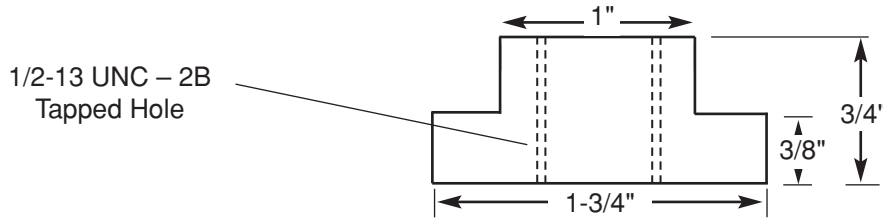


L6 – 20P

# MOUNTING INSTRUCTIONS

This machine comes with a “T”-nut and hex head screw for mounting directly to the lathe compound. Due to the many lathe types, it may be necessary to alter or replace the “T”-nut with one of the correct size for the particular lathe.

“T”-nut dimensions are supplied as follows...



Mat'l 303-SS

## MOUNTING:

**STEP 1.** - Remove any tooling, tooling holders, etc. from the lathe compound.

**STEP 2.** - Clear all chips and debris from the top of compound and “T”-slot.

**STEP 3.** - Providing the “T”-nut is of correct size for the lathe compound, lift (or hoist) the entire tool into position. Align and insert “T”-nut into slot.

**STEP 4.** - Using your fingers, lightly snug the hex screw (P/N 97087) until the tool becomes parallel to the workpiece centerline.

**STEP 5.** - The tool can now be swung from side to side and positioned for the desired angle between the contact wheel and the workpiece. Once this is achieved, firmly tighten hex screw (P/N 97087).

**STEP 6.** - Position the contact wheel at or above the workpiece centerline. This will ensure proper belt tracking and prevent chatter from occurring. The position can be altered by loosening the two cap screws (P/N 97088) and allowing the tool to pivot on the pivot shaft (P/N 65266) (**tool must be supported while performing this task!**) Firmly retighten the screws once proper positioning is achieved.

The machine is now ready for operation.

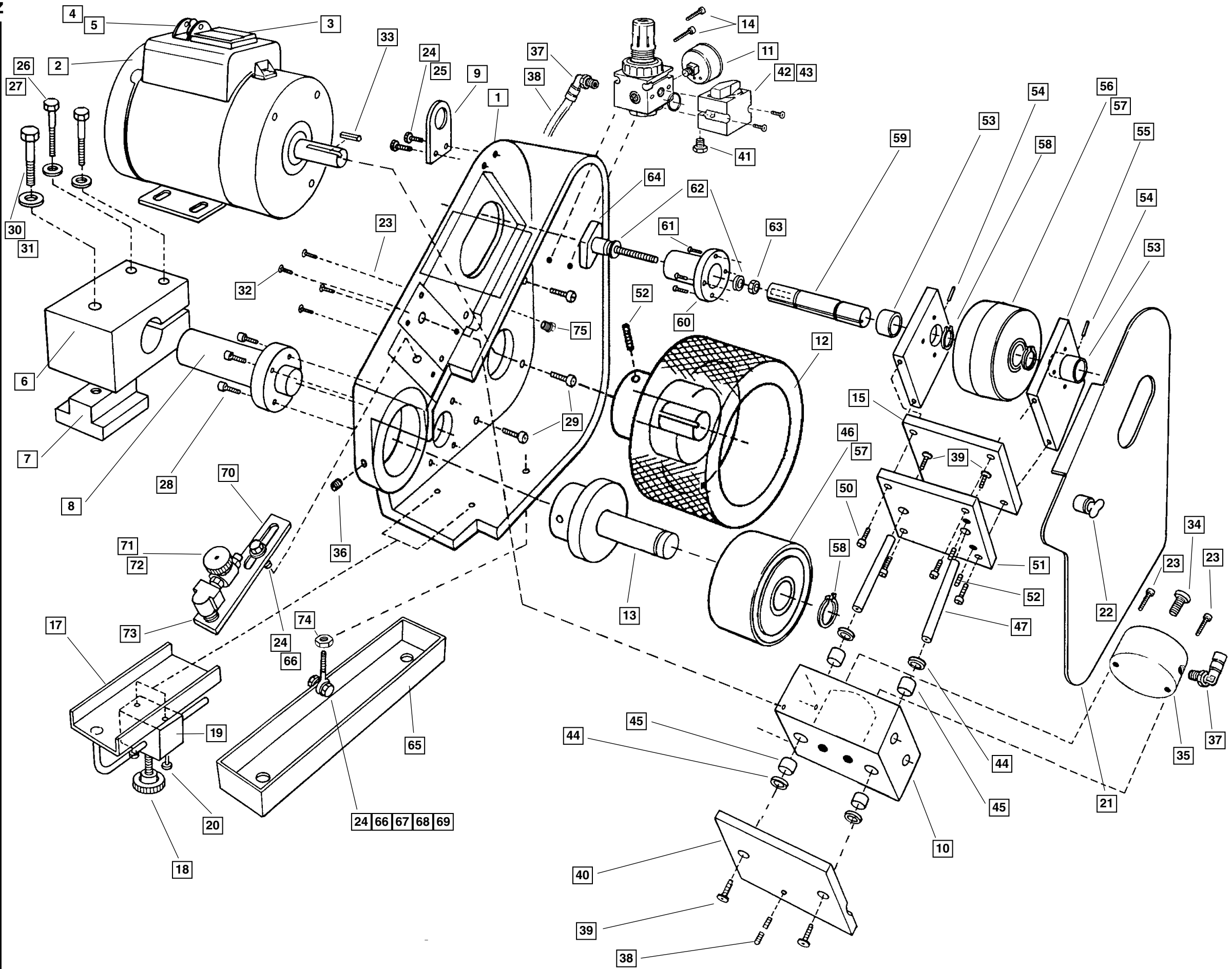
## Machine Specifications

| Machine Model No. | Width Inch (mm) | Length Inch (mm) | Height Inch (mm) | Machine Weight (kg) | Abrasive Belt Size | Electrical        | Motor RPM | SFPM          |
|-------------------|-----------------|------------------|------------------|---------------------|--------------------|-------------------|-----------|---------------|
| 65750 (Wet)       | 17" (432)       | 19" (483)        | 18" (457)        | 108 lbs. (49)       | 2"(50) x 48"(1219) | 240 V/ 1 Ph/60 Hz | 3,450     | 7,200 (2,187) |
| 65751 (Wet)       | 17" (432)       | 19" (483)        | 18" (457)        | 108 lbs. (49)       | 2"(50) x 48"(1219) | 240 V/ 1 Ph/50 Hz | 2,850     | 6,000 (1,822) |

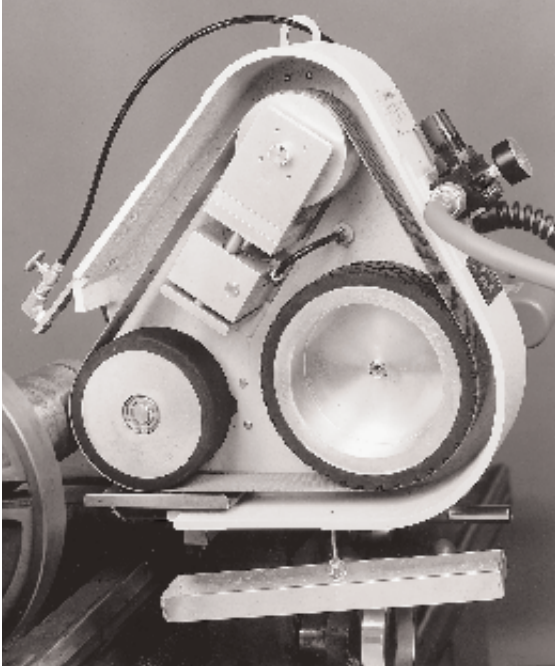
**65750 – 3,450 RPM (Wet), 60Hz**  
**65751 – 2,850 RPM (Wet), 50Hz**

**Precision Tool Post Grinder – Machine Parts Breakdown – Models 65750 and 65751**

| Item | Part No. | Description                | Qty.  |
|------|----------|----------------------------|-------|
| 1    | 66605    | Housing                    | 1     |
| 2    | 66608    | Electric Assembly (50 Hz)  | 1     |
|      | 66607    | Electric Assembly (60 Hz)  | 1     |
| 3    | 98378    | Ammeter                    | 1     |
| 4    | 98371    | Switch                     | 1     |
| 5    | 98370    | Switch Guard               | 1     |
| 6    | 65195    | Mounting Block             | 1     |
| 7    | 98493    | T-Nut                      | 1     |
| 8    | 65266    | Pivot Bar                  | 1     |
| 9    | 14333    | Lift Bracket               | 1     |
| 10   | 66616    | Tension Block              | 1     |
| 11   | 95696    | Gauge                      | 1     |
| 12   | 66617    | Drive Wheel (2,850 RPM)    | 1     |
| 13   | 66614    | Contact Wheel Shaft        | 1     |
| 14   | 97026    | Screw                      | 2     |
| 15   | 66622    | Spacer Block               | 1     |
| 16   |          | Reserved                   | 1     |
| 17   | 65263    | Tray (includes rod)        | 1     |
| 18   | 97773    | Knob                       | 1     |
| 19   | 65314    | Tray Support               | 1     |
| 20   | 97061    | Screw                      | 2     |
| 21   | 66618    | Cover                      | 1     |
| 22   | 97760    | Door Latch                 | 1     |
| 23   | 97053    | Screw                      | 2     |
| 24   | 95179    | Hex Screw                  | 2     |
| 25   | 95167    | Lock Washer                | 2     |
| 26   | 97088    | Hex Screw                  | 2     |
| 27   | 95183    | Flat Washer                | 2     |
| 28   | 97057    | Cap Screw                  | 4     |
| 29   | 97059    | Cap Screw                  | 4     |
| 30   | 97087    | Hex Screw                  | 1     |
| 31   | 97310    | Flat Washer                | 1     |
| 32   | 97085    | Flathead Screw             | 4     |
| 33   | 97460    | Key                        | 1     |
| 34   | 97069    | Carriage Bolt              | 2     |
| 35   | 97806    | Air Cylinder               | 1     |
| 36   | 97112    | Set Screw                  | 1     |
| 37   | 97828    | Fitting                    | 2     |
| 38   | 97829    | Hose                       | 1 Ft. |
| 39   | 97083    | Flathead Screw             | 4     |
| 40   | 65232    | Tension Strap              | 1     |
| 41   | 97883    | Breather Vent              | 1     |
| 42   | 97894-B  | Valve                      | 1     |
| 43   | 97898-C  | Regulator                  | 1     |
| 44   | 97812    | Oil Seal                   | 4     |
| 45   | 65217    | Bushing                    | 4     |
| 46   | 66619    | Contact Wheel              | 1     |
| 47   | 66611    | Tension Shaft              | 2     |
| 48   |          | Reserved                   | 2     |
| 49   |          | Reserved                   | 4     |
| 50   | 97015    | Cap Screw                  | 4     |
| 51   | 65269    | Tension Support            | 1     |
| 52   | 95202    | Set Screw                  | 3     |
| 53   | 97549    | Bushing                    | 2     |
| 54   | 97405    | Roll Pin                   | 2     |
| 55   | 66613    | Idler Support              | 2     |
| 56   | 66615    | Tracking Wheel (3,450 RPM) | 1     |
| 57   | 97548    | Ball Bearing               | 4     |
| 58   | 97442    | Retaining Ring             | 3     |
| 59   | 66612    | Tracking Shaft             | 1     |
| 60   | 65132    | Tracking Hub               | 1     |
| 61   | 97152    | Low Head Screw             | 4     |
| 62   | 95417    | Nylon Washer               | 2     |
| 63   | 95186    | Hex Nut                    | 1     |
| 64   | 95314    | Knob                       | 1     |
| 65   | 65264    | Drip Pan                   | 1     |
| 66   | 95166    | Flat Washer                | 1     |
| 67   | 95167    | Lock Washer                | 1     |
| 68   | 95170    | Wing Nut                   | 1     |
| 69   | 97151    | Eye Screw                  | 1     |
| 70   | 65262    | Nozzle Support             | 1     |
| 71   | 95761    | Valve                      | 1     |
| 72   | 95084    | Reducer                    | 1     |
| 73   | 96063    | Elbow                      | 1     |
| 74   | 97213    | Nut                        | 1     |
| 75   | 97827    | Fitting                    | 1     |



# MACHINE ADJUSTMENTS



## Belt Change/Installation:

1. Remove Belt Guard by grasping door latch (P/N 97760) and rotate 1/4 turn counter-clockwise.
2. Turn off air supply at valve (item #42). This will retract air cylinder (item #35) and thus removes tension from the belt.
3. Remove and replace belt.
4. **Important:** With hands clear from moving parts, turn air supply back on at item #42. Regulator pressure should be set to 90 PSI for proper belt tensioning.
5. "Jog" motor by turning on momentarily to ensure proper belt tracking. Tracking procedure is described below.

Replace belt guard and turn door latch 1/4 turn clockwise until "click" is heard.

## Belt Tracking:

Belt tracking is accomplished by turning the tracking knob (P/N 95314). Turning clockwise moves belt to the right. Turning counter-clockwise moves belt to the left.

## Coolant Nozzle:

The coolant nozzle can be extended or retracted (if dia. allows) for good placement of coolant flow by loosening hex screw (P/N 95179). Retighten once placement is achieved. The coolant nozzle has an adjustable flow valve which connects to 1/4" diameter flexible nylon tubing.

## Drip Pan:

The drip pan is hinged on a #10 eye screw and can be tilted fore and aft to direct coolant toward lathe bed.

## Catch Tray Assembly:

Each machine comes equipped with an adjustable catch tray which positions underneath the contact wheel. Its purpose is to collect the major portion of grind dust/swarf and direct it away from the lathe ways. It should be placed within 1/8" of workpiece. Position can be changed by loosening knob (P/N 97773). When grinding into a shoulder, it will be necessary to remove tray entirely.

---

# MAINTENANCE

The grinders described in this manual have been designed to be maintenance-free. All bearings and moving parts are sealed/shielded and lubricated for life. Electric motor maintenance should be performed as recommended by the motor manufacturer.

Good housekeeping is essential to insuring long life of any machine tool. By keeping the machine clean and visually inspected for any wear, the machine will provide many years of quality service.

Periodically inspect the contact wheels, idler rolls and drive pulley for any signs of wear. Repairing or replacing worn parts early enough will prevent other parts from becoming damaged.

# ELECTRICAL SAFETY INSTRUCTIONS

**Warning:** When using electric tools, basic safety precautions should always be followed to reduce the risk of a fire, electric shock, and personal injury, including the following:

1. **Keep work area clean.** Cluttered areas and benches invite accidents.
2. **Consider work area environment.** Keep work area well lit. Do not use tools in the presence of flammable liquids or gases.
3. **Guard against electric shock.** Prevent body contact with grounded surfaces. For example; pipes, radiators, ranges, refrigerator enclosures.
4. **Keep children away.** Do not let visitors contact tool or extension cord. All visitors should be kept away from work area.
5. **Do not force tool.** It will do the job better and safer at the rate for which it was intended.
6. **Use the right tool.** Do not force a small tool or attachment to do the job of a heavy duty tool. Do not use tool for purposes not intended.
7. **Dress properly.** Do not wear loose fitting clothing or jewelry. They can be caught in moving parts. Rubber gloves and non-skid footwear are recommended when working outdoors. Wear protective hair covering to contain long hair.
8. **Use safety glasses.** Also use face-shield or dust mask if operation area is dusty.
9. **Do not abuse cord.** Never carry tool by cord or yank it to disconnect from receptacle. Keep cord from heat, oil and sharp edges.
10. **Secure work.** Use clamps or a vice to hold workpiece. It's safer than using your hand and it frees up both hands to operate tool.
11. **Do not overreach.** Keep proper footing and balance at all times.
12. **Maintain tools with care.** Keep tools clean for better use and safer performance. Follow instructions for lubricating and changing accessories. Inspect tool cords periodically and if damaged, have repaired by authorized service facility. Inspect extension cords periodically and replace if damaged. Keep handles dry, clean and free from oil and grease.
13. **Do not leave tool running.** Disconnect tools when not in use, before servicing, when changing belts, contact arms, etc.
14. **Remove keys and wrenches.** Form a habit of checking to see that all keys and adjusting wrenches are removed from tool before turning it on.
15. **Avoid accidental starting.** Do not carry around plugged in tool with finger on switch. Be sure switch is off when plugging in.
16. **Out-door use extension cords.** When tool is used outdoors, use only extension cord suitable for outdoor use. They should be marked with the suffix W-A (for UL) or W (for CSA in Canada).
17. **Stay alert.** Watch what you are doing. Use common sense. Do not operate tool when you are tired.
18. **Check damaged parts.** Before further use of the tool, a guard or other part that is damaged should be carefully checked to determine that it will operate properly and perform its intended function. Check for alignment of moving parts, breakage of moving parts, binding of moving parts, mounting and any other conditions that may affect its operation. A guard or other part that is damaged should be properly repaired or replaced by an authorized service center unless otherwise indicated elsewhere in this instruction manual. Have defective switches replaced. Do not use tool if switch does not turn tool on or off.
19. **Avoid gaseous areas.** Do not operate portable electric tools in gaseous or explosive atmospheres. Motors in these tools normally spark, and the sparks can ignite fumes.
20. **Do not alter or misuse tool.** This tool is precision built. Any alteration or modification not specified is misuse and may result in a dangerous condition. Only these accessories and attachments that are found in this instruction manual are acceptable for use with this tool. The use of any other accessory or attachment might present a risk to the operator.
21. **Replacement parts.** When servicing, use only identical replacement parts. When ordering replacement parts, please specify model and serial numbers of your machine.

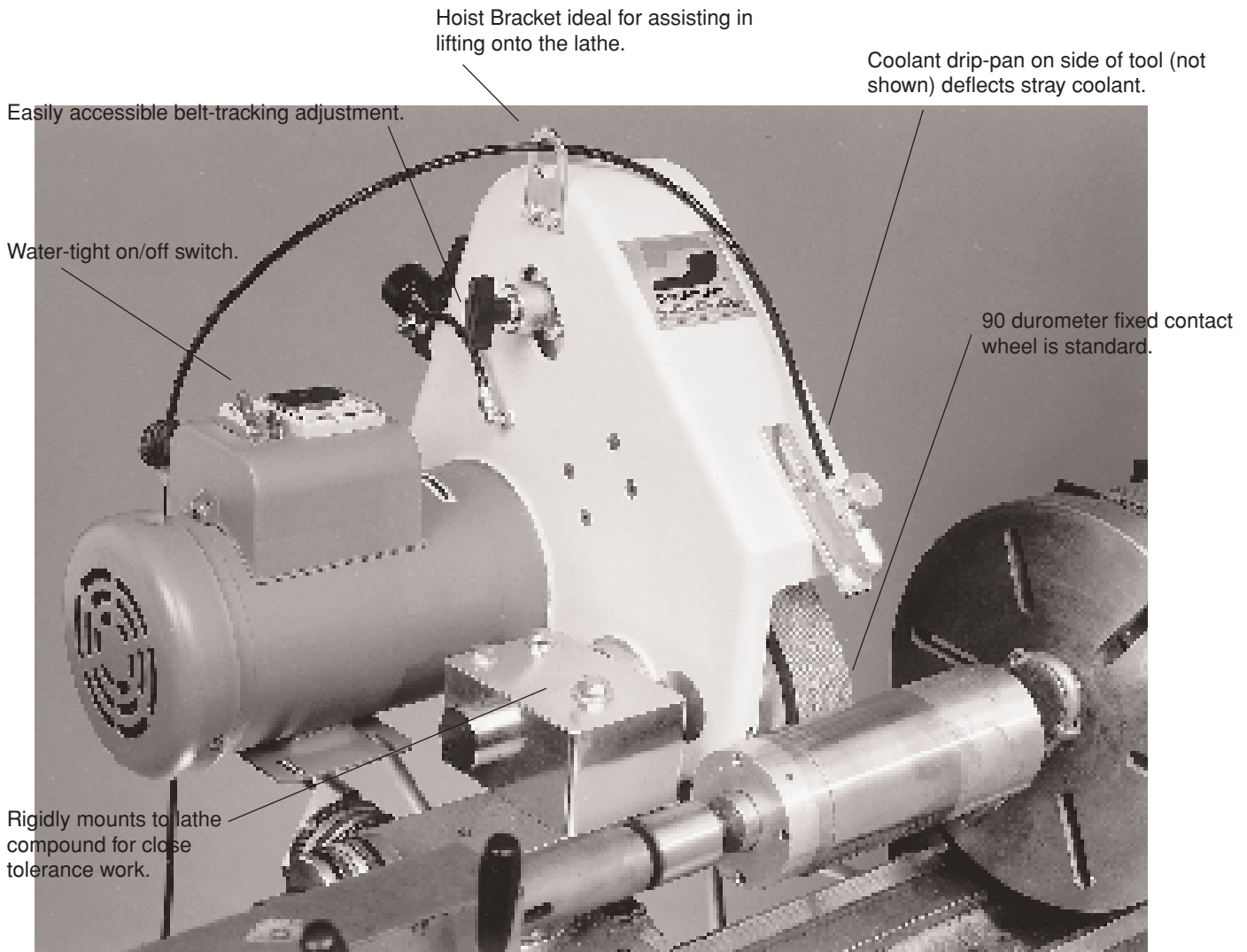
## Voltage Warning

Before connecting the tool to a power source (receptacle, outlet, etc.) be sure the voltage supplied is the same as what is specified on the nameplate of the tool. A power source with greater than that specified for tool can result in **serious injury** to the user as well as damage to the tool. Using a power source with voltage less than the nameplate rating is harmful to the tool's motor. If in doubt, **do not plug in the tool.**

## The following safety rules apply when contact wheel grinding:

1. Never use an abrasive belt that is narrower than the contact wheel, as the uncovered wheel face will cause snagging of the workpiece.
2. Always use an upward stroke of the workpiece against the abrasive belt and always use the grind area below the centerline of the contact wheel.

**WARNING** There is a potential combustion hazard if ferrous and non-ferrous grinding dust is mixed. Do not grind materials of different types without thoroughly cleaning grinding residue from inside machine.



Visit our new Web Site via Industry.Net MROP On-Line: <http://www.dynabrade.industry.net>

E-Mail: [DynaTalk@aol.com](mailto:DynaTalk@aol.com)



**DYNABRADE, INC.**, 8989 Sheridan Drive • Clarence, NY 14031-1490 • Phone: (716) 631-0100 • Fax: 716-631-2073 • International Fax: 716-631-2524  
**DYNABRADE EUROPE S.à.r.l.**, Zone Artisanale • L-5485 Wormeldange—Haut, Luxembourg • Telephone: 352 76 84 94 • Fax: 352 76 84 95

© DYNABRADE, INC., 1997

PRINTED IN USA