

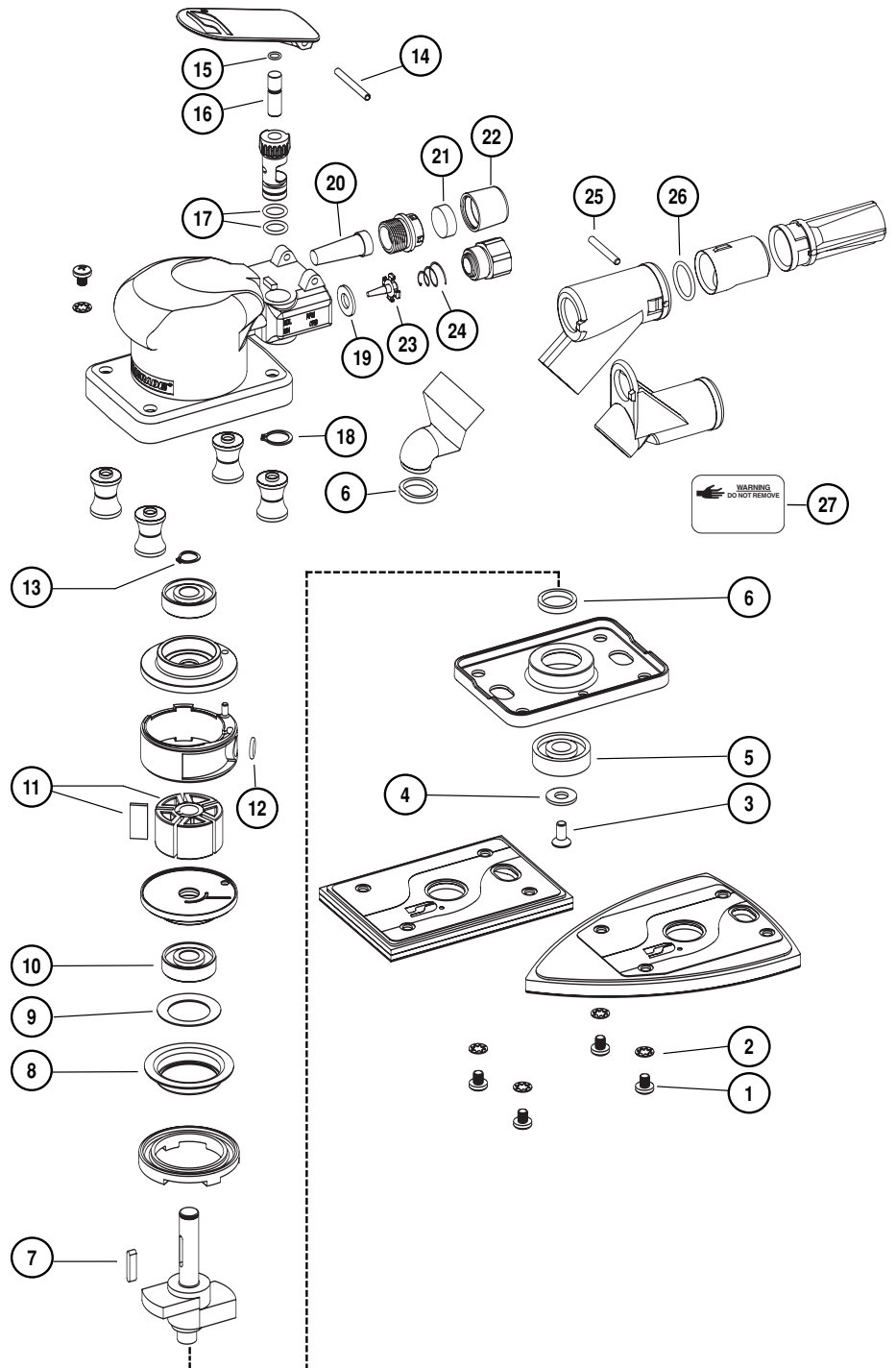
# 98222 Tune-Up Kit

**For Use With All:  
Dynabug II Models**

*Air Motor and Machine Parts*

Parts included in tune-up kit are identified by part number. Not all parts are required for all tools.  
Please refer to appropriate parts page for additional identification and disassembly/assembly instructions.

Index Key		
No.	Part #	Description
1	96539	Screw (4)
2	96538	Lock Washer (4)
3	95344	Screw
4	95935	Washer
5	54552	Bearing
6	57896	Felt Seal (2)
7	56047	Key
8	59057	Front Bearing Seal
9	59083	Felt Washer
10	58368	Bearing (2)
11	57113	Blade (5)/Rotor Set
12	01024	O-Ring
13	98463	Retaining Ring
14	98927	Pin
15	98459	O-Ring
16	58363	Valve Stem
17	01025	O-Ring (2)
18	95697	Retaining Ring
19	01464	Seal
20	57065	Cone Muffler
21	56027	Muffler Insert (2)
22	56028	Muffler Cap
23	58365	Tip Valve
24	01468	Spring
25	96197	Dowel Pin
26	95526	O-Ring
27	96540	Vac Port Cover



**DYNABRADE, INC.**

[www.dynabrade.com](http://www.dynabrade.com)

8989 Sheridan Drive • Clarence, NY 14031-1490 • Phone: (716) 631-0100 • Fax: 716-631-2073 • International Fax: 716-631-2524

©DYNABRADE, INC., 2005

PRINTED IN USA

PD04.60\_05/05

